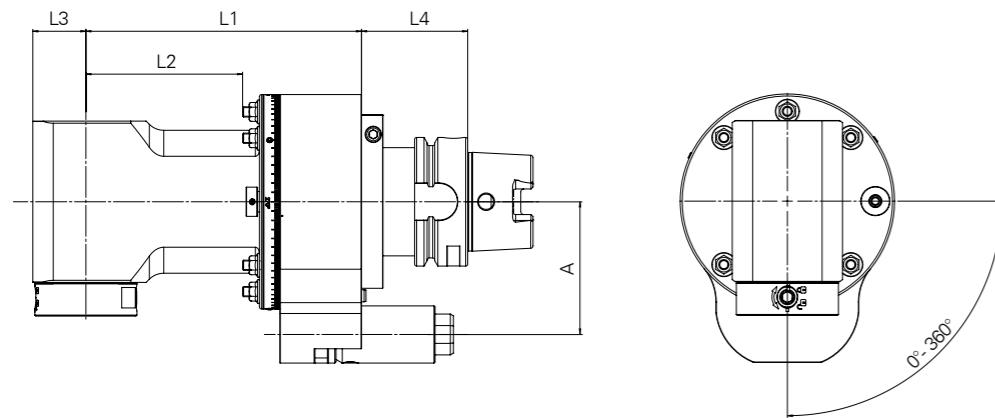


# ANGLE HEAD

## BENZ SELECT LINE – MONO WSX

BENZ SELECT LINE – MONO WSX

### TECHNICAL DATA



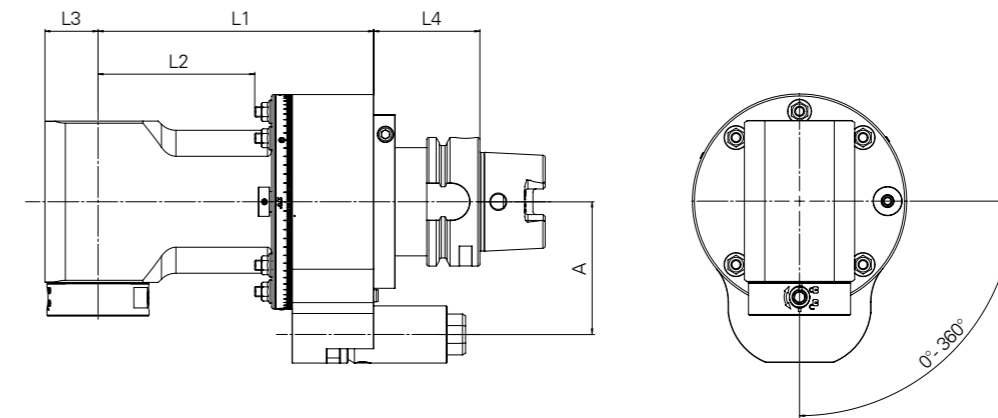
**05** 

**M<sub>max</sub> 30 Nm**  
**i 1:1**  
**n<sub>max</sub> 8.000 rpm**

BLP TLP

### TECHNICAL DATA



**07** 

**M<sub>max</sub> 70 Nm**  
**i 1:1**  
**n<sub>max</sub> 6.000 rpm**

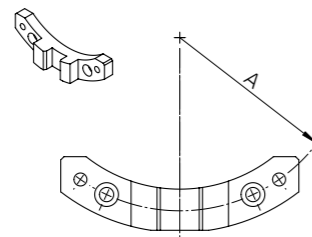
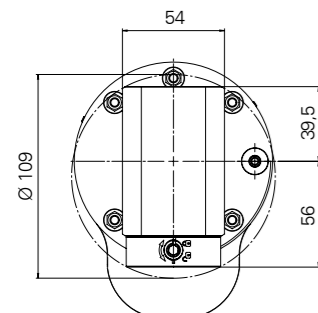
 

BLP TLP

### OUTPUT SPINDLE

BENZ Solidfix®-S3

Stop block



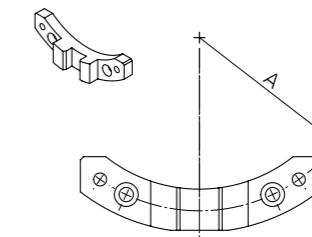
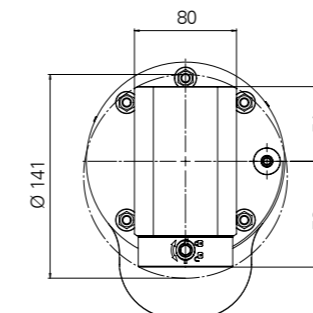
Stop block Size	Technical data	
	A [mm]	
HSK-A63	65	80
HSK-A100*	80	110
SK40   CAT40	65	80
SK50   CAT50*	80	110
BT40	65	80
BT50	80	110

\*for BLP edition only

### OUTPUT SPINDLE


BENZ Solidfix®-S4


Stop block



Stop block Size	Technical data	
	A [mm]	
HSK-A63	65	80
HSK-A100*	80	110
SK40   CAT40	65	80
SK50   CAT50*	80	110
BT40	65	80
BT50	80	110

\*for BLP edition only


 for easy commissioning – starter set available


 for easy commissioning – starter set available


### FRONT HEAD

### +OUTPUT SPINDLE

### +TAPER

Type Size	Technical data		
	L1 [mm]	L2 [mm]	
05	135	73,5	5,6


Type Size	Technical data		
	L3 [mm]	+ [mm]	
S3	26	0	0


Type Size	Technical data		
	L4 [mm]	+ [mm]	
HSK-A63	52	0	0
HSK-A100	55	1,7	1,7
SK40   CAT40	45	0,1	0,1
SK50   CAT50	45	2,2	2,2
BT40	53	0,4	0,4
BT50	60	3,5	3,5


### FRONT HEAD

### +OUTPUT SPINDLE

### +MACHINE CONNECTION

Type Size	Technical data		
	L1 [mm]	L2 [mm]	
07	150	88	8,7

Type Size	Technical data		
	L3 [mm]	+ [mm]	
S4	35	0	0

Type Size	Technical data		
	L4 [mm]	+ [mm]	
HSK-A63	52	0	0
HSK-A100	55	1,9	1,9
SK40   CAT40	45	0,1	0,1
SK50   CAT50	45	2,2	2,2
BT40	53	0,4	0,4
BT50	60	3,5	3,5

# ANGLE HEAD BENZ SELECT LINE – FORTE WWX

BENZ SELECT LINE – FORTE WWX

## TECHNICAL DATA

05

$M_{max}$  30 Nm

$i$  1:1

$n_{max}$  8.000 rpm

## TECHNICAL DATA

07

$M_{max}$  70 Nm

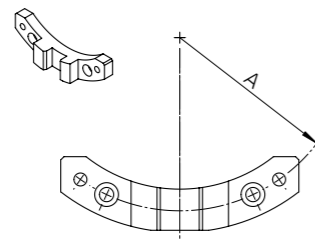
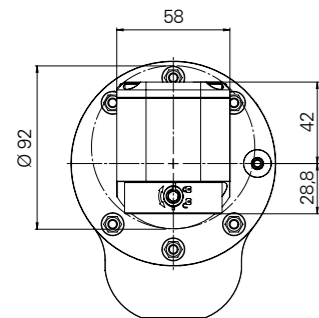
$i$  1:1

$n_{max}$  6.000 rpm

## OUTPUT SPINDLE

BENZ Solidfix®-S3

Stop block



Stop block Size	Technical data	
	A [mm]	
HSK-A63	65	80
HSK-A100*	80	110
SK40   CAT40	65	80
SK50   CAT50*	80	110
BT40	65	80
BT50	80	110

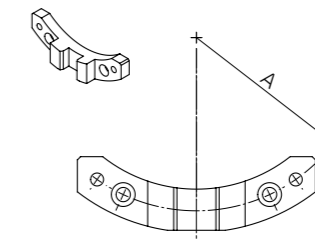
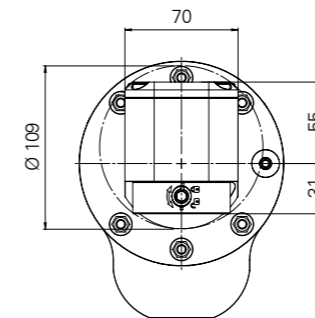
\*for BLP edition only

for easy commissioning – starter set available

## OUTPUT SPINDLE

BENZ Solidfix®-S4

Stop block



Stop block Size	Technical data	
	A [mm]	
HSK-A63	65	80
HSK-A100*	80	110
SK40   CAT40	65	80
SK50   CAT50*	80	110
BT40	65	80
BT50	80	110

\*for BLP edition only

for easy commissioning – starter set available

## FRONT HEAD

## +OUTPUT SPINDLE

## +TAPER

Type Size	Technical data		
	L1 [mm]	L2 [mm]	
05	172	110,5	5,8

Type Size	Technical data		
	L3 [mm]	+ [mm]	
S3	26	0	

Type Size	Technical data		
	L4 [mm]	+ [mm]	
HSK-A63	52	0	
HSK-A100	55	1,7	
SK40   CAT40	45	0,1	
SK50   CAT50	45	2,2	
BT40	53	0,4	
BT50	60	3,5	

## FRONT HEAD

## +OUTPUT SPINDLE

## +TAPER

Type Size	Technical data		
	L1 [mm]	L2 [mm]	
07	200	138	8,6

Type Size	Technical data		
	L3 [mm]	+ [mm]	
S4	35	0	

Type Size	Technical data		
	L4 [mm]	+ [mm]	
HSK-A63	52	0	
HSK-A100	55	1,9	
SK40   CAT40	45	0,1	
SK50   CAT50	45	2,2	
BT40	53	0,5	
BT50	60	3,7	

# ANGLE HEAD

## BENZ SELECT LINE – FORTE WWX (EC+IC)

BENZ SELECT LINE – FORTE WWX (EC+IC)

### TECHNICAL DATA

**05**

$M_{max}$  30 Nm  
 $i$  1:1  
 $n_{max}$  8.000 rpm

BLP TLP

### TECHNICAL DATA

**07**

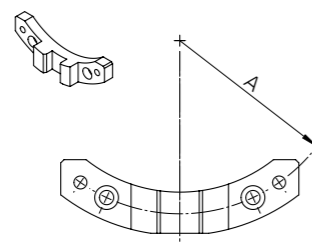
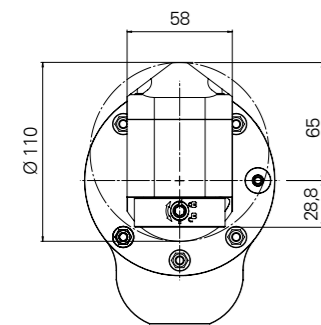
$M_{max}$  70 Nm  
 $i$  1:1  
 $n_{max}$  6.000 rpm

BLP TLP

### OUTPUT SPINDLE

BENZ Solidfix®-S3

Stop block



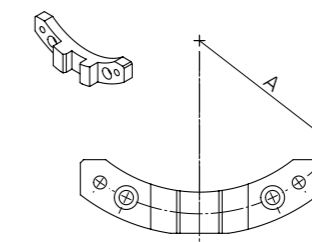
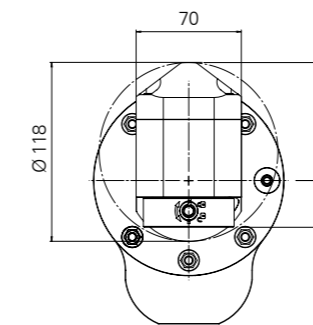
Stop block Size	Technical data	
	A [mm]	
HSK-A63	65	80
HSK-A100*	80	110
SK40   CAT40	65	80
SK50   CAT50*	80	110
BT40	65	80
BT50	80	110

\*for BLP edition only

### OUTPUT SPINDLE

BENZ Solidfix®-S4

Stop block



Stop block Size	Technical data	
	A [mm]	
HSK-A63	65	80
HSK-A100*	80	110
SK40   CAT40	65	80
SK50   CAT50*	80	110
BT40	65	80
BT50	80	110

\*for BLP edition only

**i** for easy commissioning – starter set available

**i** for easy commissioning – starter set available

### FRONT HEAD

### +OUTPUT SPINDLE

### +TAPER

Type Size	Technical data		
	L1 [mm]	L2 [mm]	
05	172	110,5	5,9

Type Size	Technical data		
	L3 [mm]	L4 [mm]	
S3	26	0	0

Type Size	Technical data		
	L4 [mm]	L5 [mm]	
HSK-A63	52	0	0
HSK-A100	55	1,7	1,7
SK40   CAT40	45	0,1	0,1
SK50   CAT50	45	2,2	2,2
BT40	53	0,4	0,4
BT50	60	3,5	3,5

### FRONT HEAD

### +OUTPUT SPINDLE

### +TAPER

Type Size	Technical data		
	L1 [mm]	L2 [mm]	
07	200	138	8,7

Type Size	Technical data		
	L3 [mm]	L4 [mm]	
S4	35	0	0

Type Size	Technical data		
	L4 [mm]	L5 [mm]	
HSK-A63	52	0	0
HSK-A100	55	1,9	1,9
SK40   CAT40	45	0,1	0,1
SK50   CAT50	45	2,2	2,2
BT40	53	0,5	0,5
BT50	60	3,7	3,7